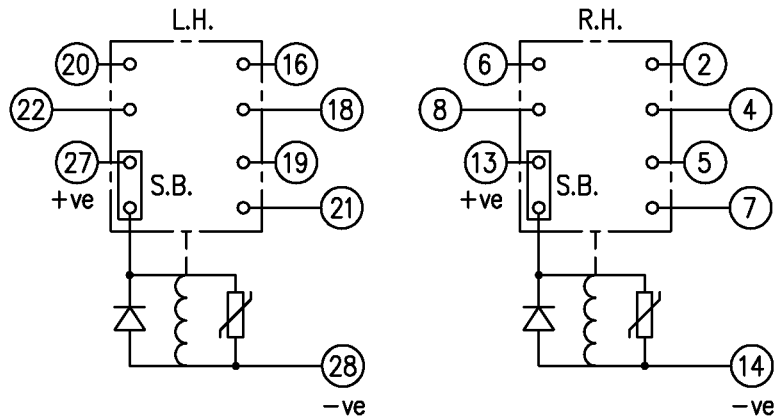


LOOKING ON FRONT OF RELAY



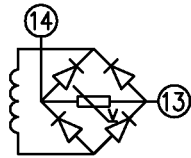
NOT SUBJECT TO UPDATE
ONCE COPIED / PRINTED
OR DOWNLOADED

KEY

- make contact
- break contact
- c/o contact
- ext. conn
- plug bridge - shorting
- metering point
- 5Kv barrier
- test socket - shorting
- plug & socket

CONTACT CONFIG.	OUTPUT CONTACT PAIR / TERMINAL No.						
	R.H. →	1-3	2-4	5-7	6-8	9-11	10-12
	L.H. →	15-17	16-18	19-21	20-22	23-25	24-26
3M 1SB	/	M	M	M	/	/	/
2M 1B 1SB	/	B	M	M	/	/	/
1M 2B 1SB	/	B	M	B	/	/	/
3B 1SB	/	B	B	B	/	/	/

NOTE: WHEN RECTIFIER IS SPECIFIED COIL CONNS. ARE AS SHOWN.



FRAME REFERENCE: E4FS09.

FRAME TERMINAL BLOCK ASSY: -

ASSEMBLY INSTRUCTIONS: -

TYPICAL ASSEMBLY DRAWING 2995G10032.

AT INDICATED POSITIONS FIT AS FOLLOWS:

T - FIT TRIP ISOLATION CONTACT 2995B10053

S - FIT STANDARD CONTACT 2995B10054

SECURE CONTACTS USING FIXING SCREW

2109F99009.

POSITIONS SHOWN BLANK ARE UNUSED

2	T		1
4	T		3
6	T	T	5
8	T	T	7
10			9
12			11
14	S	S	13
16	T		15
18	T		17
20	T	T	19
22	T	T	21
24			23
26			25
28	S	S	27

VIEW FROM NUMBERED
SIDE OF BLOCK

OUTER TERMINAL BLOCK ASSY: -

ASSEMBLY INSTRUCTIONS: -

TYPICAL ASSEMBLY DRAWING 2995G10029.

AT INDICATED POSITIONS FIT AS FOLLOWS:

S - FIT STANDARD CONTACT 2995B10051

HC - FIT 'HEAVY CURRENT' KIT 2995G10030

WHERE IS SHOWN FIT CT SHORTING

KIT 2995G10031

POSITIONS SHOWN BLANK ARE UNUSED.

ALL POSITIONS FIT SCREW 2106F12506.

2	S		1
4	S		3
6	S	S	5
8	S	S	7
10			9
12			11
14	S	S	13
16	S		15
18	S		17
20	S	S	19
22	S	S	21
24			23
26			25
28	S	S	27

VIEW FROM INSIDE
FACE

Copyright © 2002 VA TECH Reyrolle Ltd. Hebburn

			<p>Title: T.B. AND W.D. FOR AR212SBD 4 CONTACT RELAYS IN EPSILON E4 CASE.</p>	<p>First used on:</p>	
				<p>Similar Articles:</p>	
				<p>Supersedes:</p>	
2 RDW	16/01/04	MN112/2606	VA TECH Reyrolle	Original Scale.	Drq.No.
1	03/09/02		AUTOMATION, CONTROL & PROTECTION	.	2112W50154
ISSUE	DATE	MOD.No.			
DRAWN: A.LAW.	CHECKED: RDW	APPROVED: R.D.WATSON	DATE: 03/10/02	IE:	OPS: